

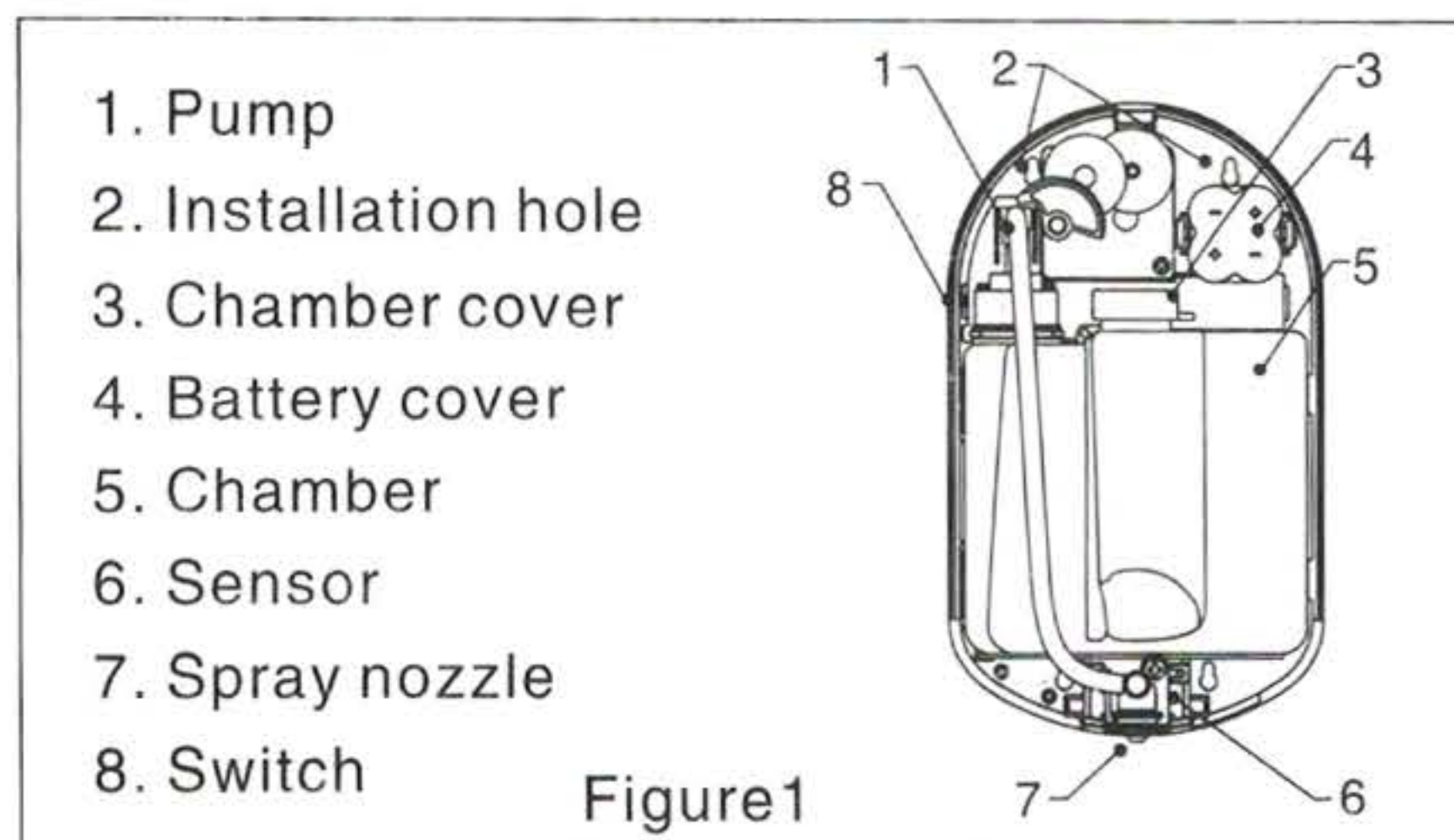
SANITIZER DISPENSER USER MANUAL

Thank you for purchasing this sanitizer dispenser. It is controlled by digital circuit with infrared sensor and battery supplied. It works steady, durable and sensitive, and it has good anti-interference ability. With low power, make the batteries has longer use-life. It is an ideal choice for hotel, restaurant, household, etc.

Features:

- With very intelligent control, the dispenser will stop working after it keeps working for 30 seconds, which can avoid keeping working because of improper induction.
- Spray automatically and continually, the dispenser will spray every 3 seconds during continual induction. after spray 10 times in a row, it will stop spraying. Make another induction to activate the dispenser.

Components:



Installation:

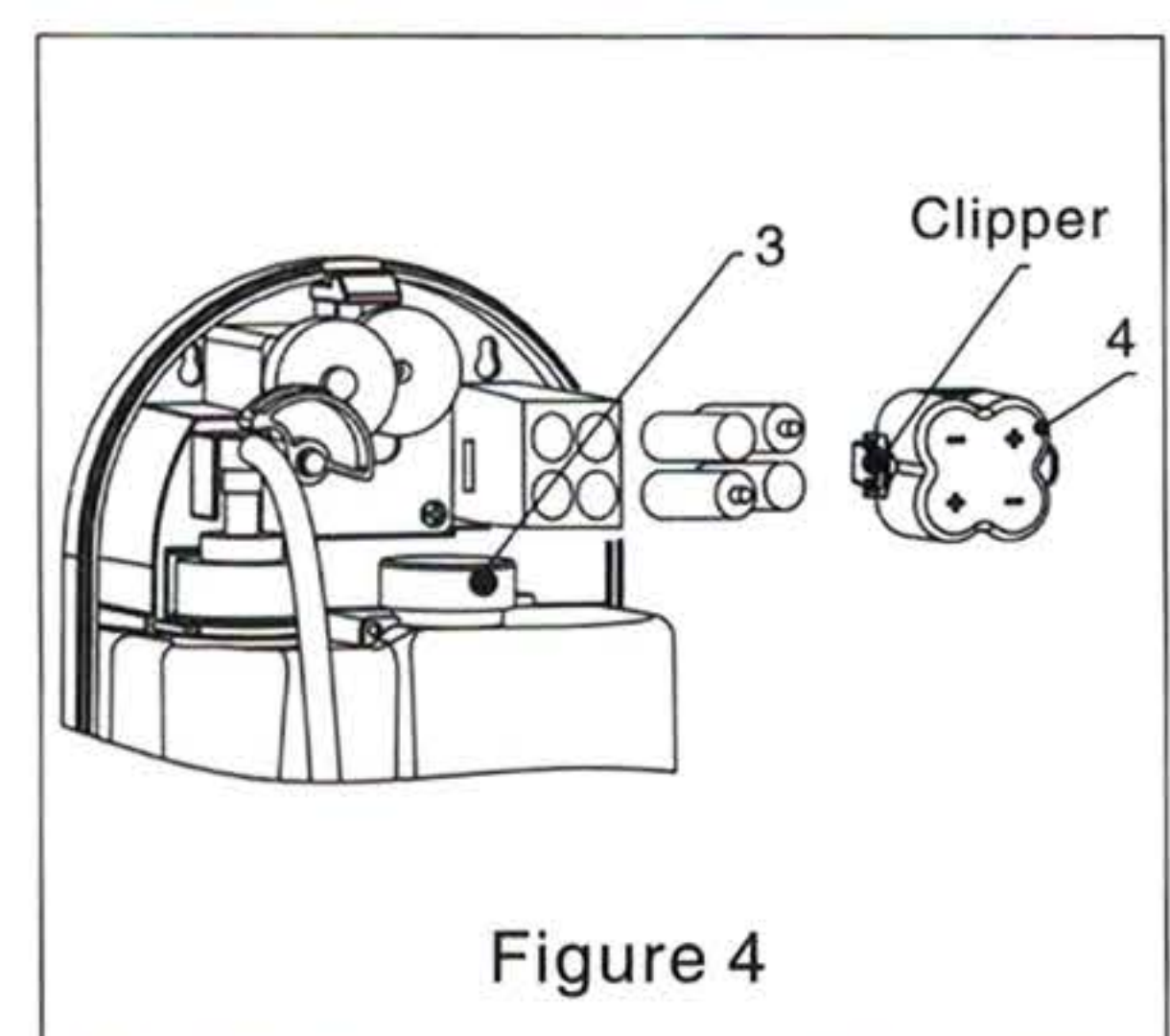
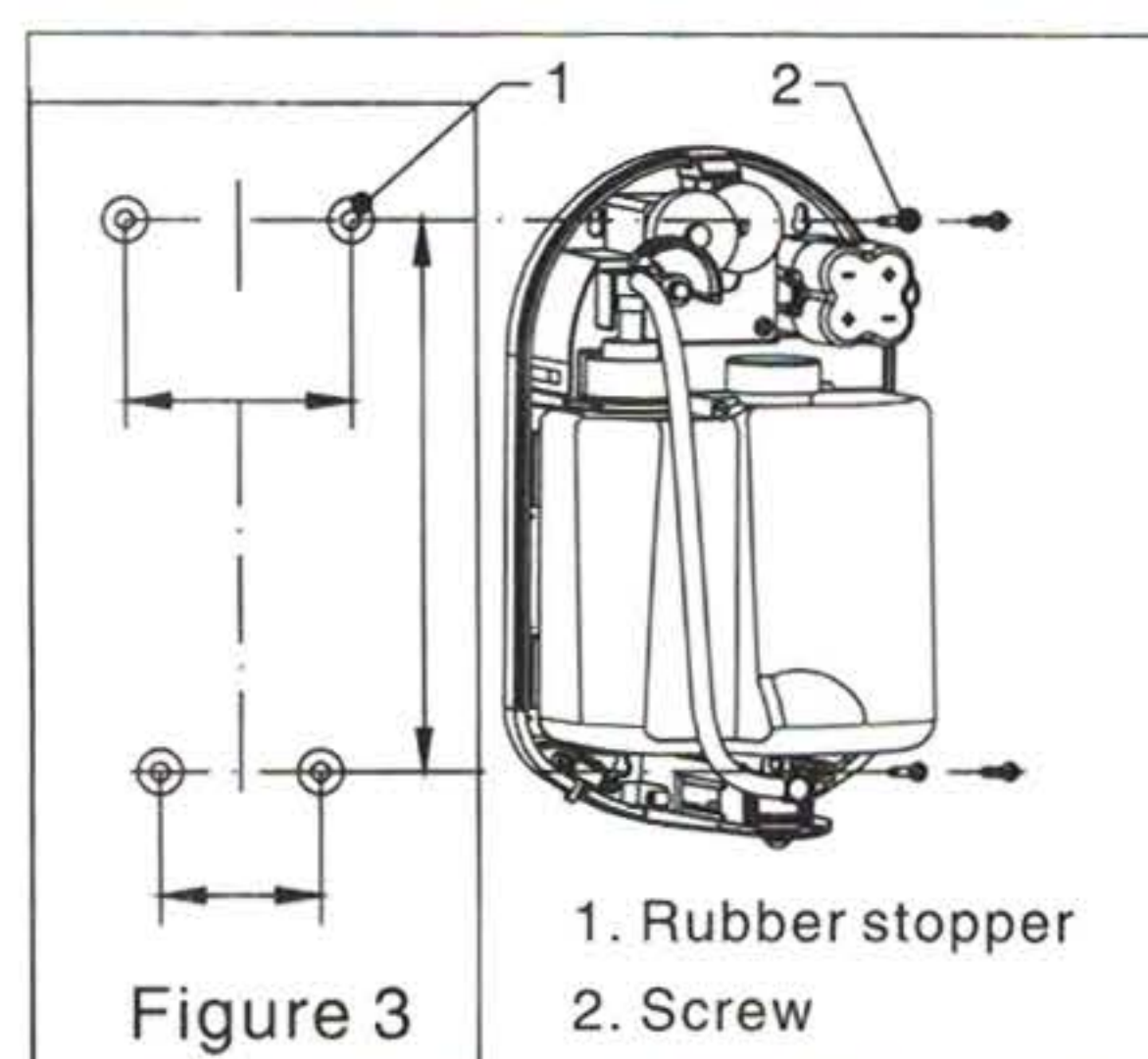
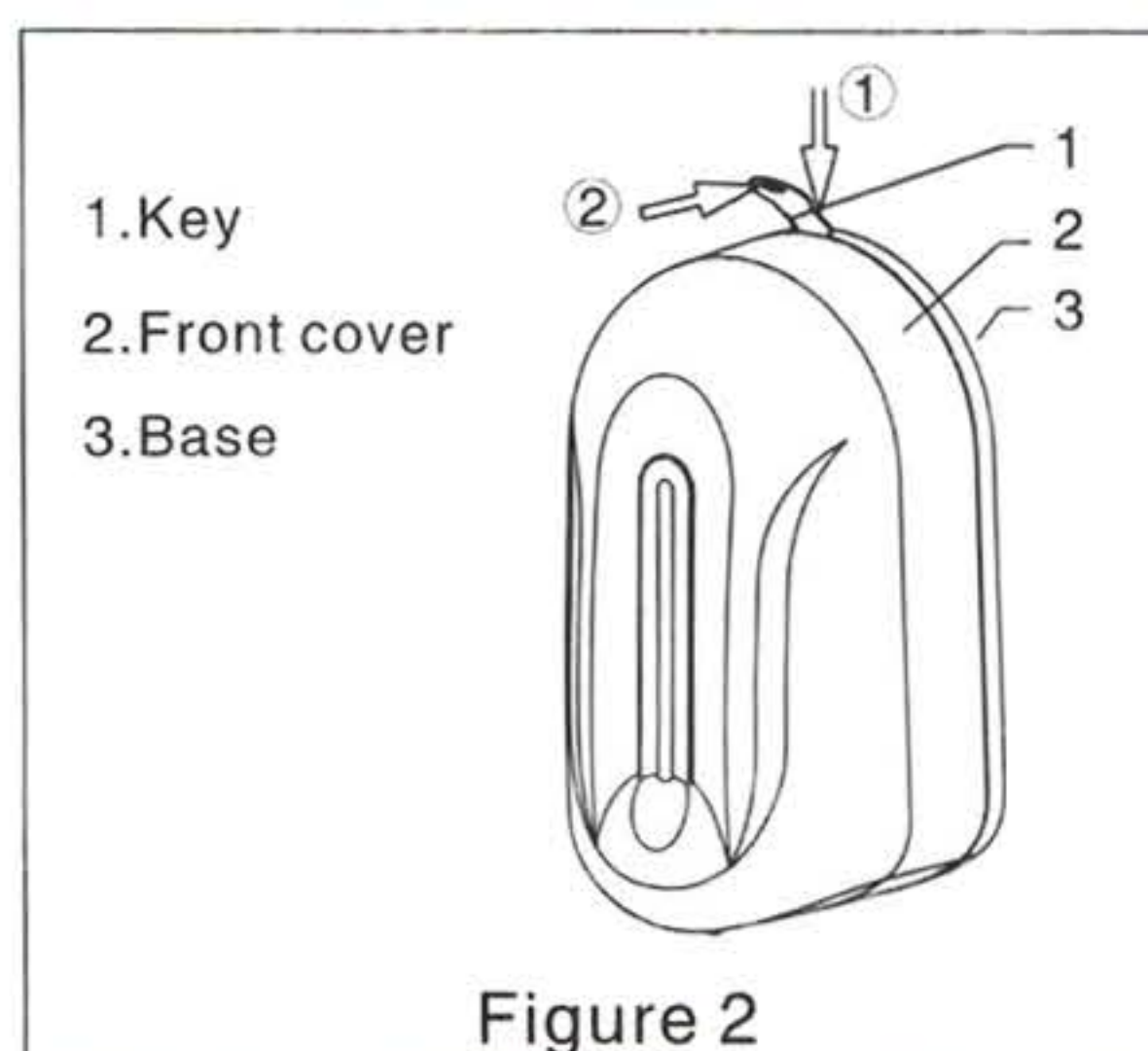
1. Follow the Step1 and 2, unlock and open the front cover by the key attached as shown in (Figure1)
2. Drill 4 holes of 6mm diameter as shown in (Figure2) , and fix the dispenser on the wall with the plugs and screws attached.

■ Battery Installation:

Install 4 pieces of LR6 batteries into the box follow “+” “-” pole, put the battery back, and close the cover for the battery box.

■ Sanitizer Refill:

Unlock and open the cap, refill the body, and close the cover. The maximum volume is 1100mL.



Application:

1. Open the front cover, the dispenser is power-off, and does not work. Close the front cover, the dispenser can be used.
2. First time to use, make it sprays several times to exhaust the air in the pump
3. When need sanitizer, place the hands 0-8cm under the outlet, the dispenser will spray automatically. It sprays 1ml sanitizer each time. When the hands are not removed from the induction area, it will spray every 3seconds until it sprays 10 times in a row.