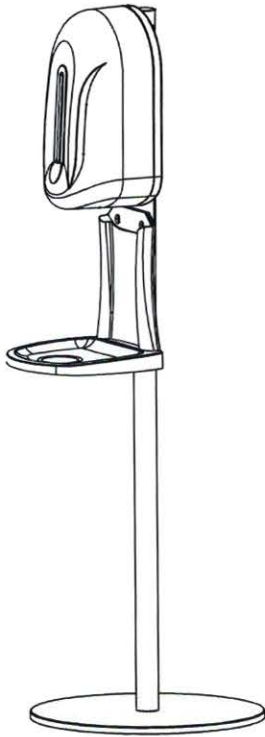
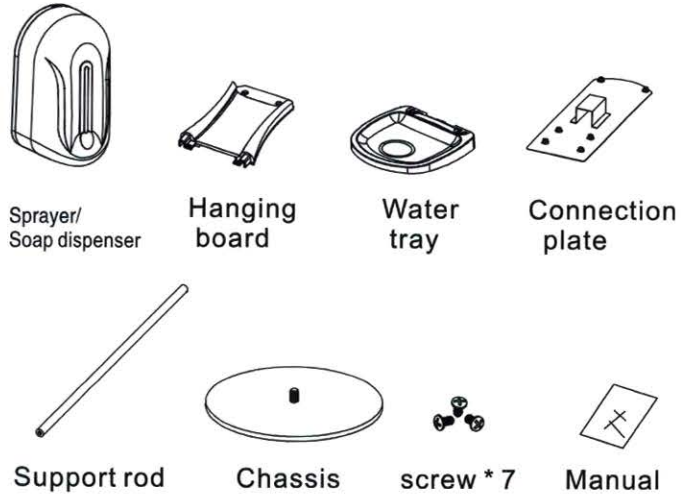


**Movable Disinfection sprayer/
soap dispenser
XDQ110A/ZYQ110A**



Manual

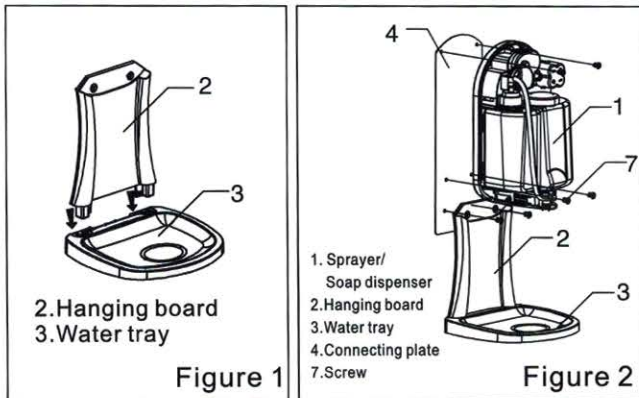
1.Materials list



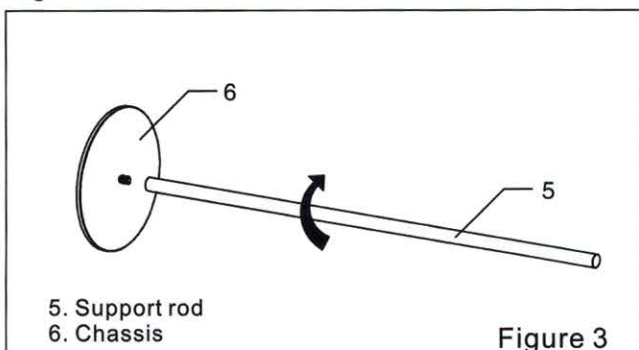
2.Assembly

1. According to the installation instructions, open the front cover with the supplied opening key and remove the front cover.
2. Insert the hanging plate into the water tray as shown in Figure 1.

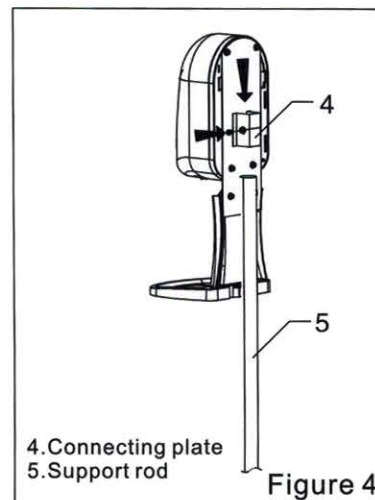
3. Fix the sprayer/soap dispenser and the water tray to the connecting plate with screws as shown in Figure 2. After installation, replace the front shell the sprayer/soap dispenser.



4. Put the support rod on the chassis as shown in Figure 3



5. Put the sprayer/soap dispenser and the water tray into the support rod assembly as shown in Figure 4 and fix it in place with screws.



6. After the product is assembled, open the front case with the key of the sprayer/soap dispenser, press the battery cover clip and pull it out, put 4 LR6 batteries, and close the battery cover
7. Open the lid of the bottle, pour the disinfectant into the bottle, close the lid and close the front shell, and the product is ready to use
8. For the first use, repeat the sensor action several times to exhaust the air from the pump.